

# CDV-PC6 Power/Bus Combiner Instructions

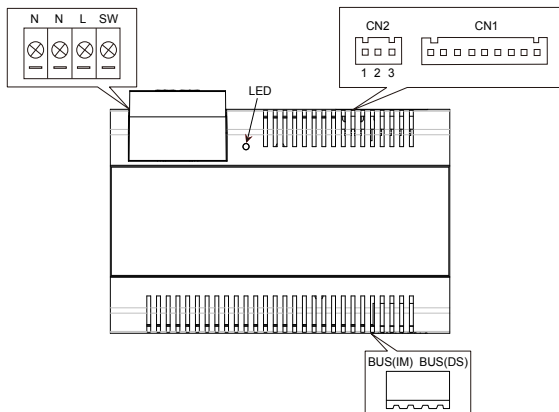
## 1. Introduction:

The PC6 is a power/bus combiner unit, which is designed for CDV 2Easy 2 wire system to supply power for the external station, internal monitor and other accessories on the bus. It can operate as a normal power/bus combiner or auxiliary PSU.

The features are as follows:

- Universal AC input/full range.
- Multi protection: short circuit, overload & over voltage.
- Integrated with CDV-DPS(power separator), additional CDV-DPS is not needed.
- Supports up to 4 monitors per call button(CDV24 & CDV47)
- DIN Rail mounting

## 2. Terminal Description:



**N:** Neutral AC input.

**L:** Live AC input.

**SW:** Not used

**LED:** Power indicator, on when power connected.

**CN2:** Standard power combiner or auxiliary power combiner selection terminal. Please refer to part 4.

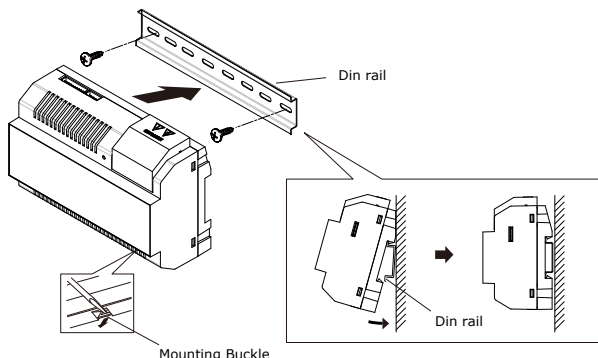
**CN1:** Bus control terminal.

**BUS(IM):** Indoor monitor connection terminal.

**BUS(DS):** Door station connection terminal.

## 3. Mounting:

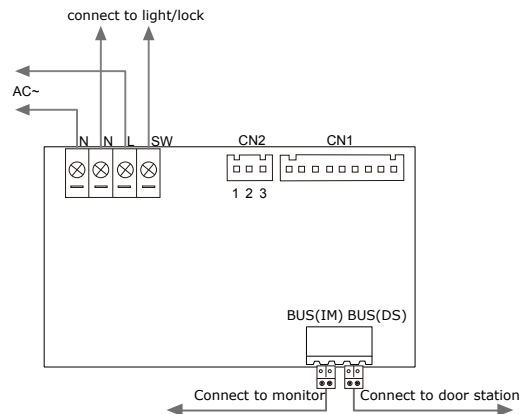
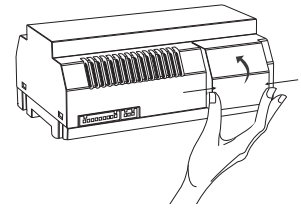
Step1: Mount the din rail to the wall with screws ;  
Step2: Pull down the mounting buckle,then hang the unit on din rail.



## 4. Wiring:

Open the AC input cover:

1. Press the cover bottom inwards towards the center.
2. Lift up and pull it out.  
After connection of the AC cable, it is advised to replace the cover.



Note:

1. the AC cable is not included in the package, it must comply with requirements of different country.
2. Pins 1 & 2 Should be shorted using the plug with pre-installed link (fitted) if using as a normal Power Combiner. Remove plug if using as a supplementary bus power supply.

## 5. Specification:

Input Voltage:	100~240Vac
Input Frequency:	50~60Hz
Rated Output Voltage:	DC 28V+2V
Rated Output Current:	1.5A
Working Temperature:	-10 <sup>0</sup> C~50 <sup>0</sup> C
SW Port Input Voltage:	Max.230Vac,
2ADimension:	
140*90*60mm	

## 6. Warning:

- The unit can only be used in 2Easy 2 wire products supplied by our company.
- Do not connect the unit with any non-specified power source. Fire or electric shock could result.
- Do not dismantle or alter the unit. Fire or electric shock could result.
- The unit must be installed and wired by a qualified technician.
- Keep the unit away from water or any other liquid. Fire or electric shock could result.