

## DIGIWAY SPRING RETURN Operator Specification

The DIGIWAY SPRING RETURN is an innovative electromechanical door automation system for interior and exterior doors, providing a universal solution for door automation. Its compact electric motor ensures smooth and reliable operation and allows for easy installation, by avoiding cables on both sides of the door. Thanks to its chain driven mechanism assisted by a spring, the DIGIWAY SPRING RETURN is especially suitable for higher traffic sites such as front doors or commercial buildings, offering reliability, durability and aesthetics.

### Standard details for DIGIWAY SPRING RETURN Operator

Product reference DWSR102U

#### Product properties

Door configuration Single or double leaf

Door leaf width up to 1500mm

Door weight up to 200kg

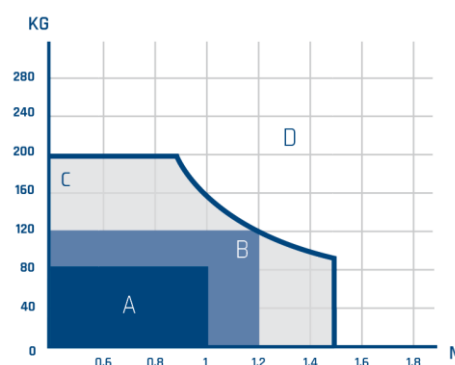
Finish: Natural anodized aluminium polished chromium steel

Power Adjustable- low energy or full power

Operator size 90mm high x 110mm deep x 685mm wide

Safety features:

- Emergency opening, in the event of power failure or fire alarm the door can be used manually
- Fire alarm connections ensure door closes under full control from any position of operation.
- Finger safety guards and active infrared safety sensor to prevent contact with moving door leaves



Zone A – Very intensive use (600 cycles per day)

Zone B – Intensive use (200-300 cycles per day)

Zone C – Use at lower speed

Zone D – Do not use

### Guidance for DIGIWAY SPRING RETURN Operator

Non-handed swing operator

Surface mounted

Power to open, spring closing on return

Fully monitored safety sensors with automatic stop / reverse mechanism EN16005 Compliant

Built in program selector keys located on side of operator

#### Operation

Electromechanical operation (no risk of oil leakage)

Integrated display to set relevant parameters

Push & Go function

Spring closure - in the event of power failure, the door is closed in a controlled manner by means of the spring

Hold open time 1 to 90 seconds (adjustable)

#### CDVI Ltd

Unit 1 Knaves Beech Business Centre

Davies Way, Loudwater

High Wycombe, HP10 9QR

01628 531300 / sales@cdvi.co.uk

Maximum drive power consumption 100W

Motor Capacity 100W

Maximum opening angle 110°

Maximum opening speed 4 to 15 seconds

Maximum closing speed 4 to 15 seconds

#### Power requirements

230V single phase. Please note a 13A LIVE neon lit fused spur supply, protected by a 30mA RCD MUST be provided by OTHERS prior to installation. In compliance with BSEN 16005 the mains connection must be capable of disconnection to safeguard against unintentional and unauthorised reactivation.

#### Included options

Dry contact for transmission of data to building's central control system

Connection of electric locks / locking mechanism

Built in Radio Control for RF Remotes and radio push buttons

Contactless detection and safety sensors

Operating status display to aid maintenance and fault finding

Safety monitoring with automatic stop / reverse function with EN16005 compliance

Finger guard protection (in EN16005 kits)

Motor shaft extensions available

#### DIGIWAY SPRING RETURN drive unit – Setup and preferences

Low-noise, electromechanical drive unit with adjustable return spring. Appropriate for interior and exterior doors, also for applications in escape routes and fire doors.

#### Door parameters

Door leaf widths between 500mm and 1500mm

Door leaf weight up to 200kg

Mounted on the hinge side, with sliding track assembly with pulling arm Lintel depth  $\pm 35$ mm

Mounted on the side opposing the hinge side, with an articulated arm assembly with pushing function lintel depth between 0 and 300mm

#### Technical data

Dimensions (Height x Depth x Width) 90mm x 110mm x 685mm

Weight of drive unit 10.5 kg

Mains power supply: 230V/50 Hz, main installation switch

Integrated in the drive unit

Power supply for external elements: 12Vdc 1 Amp or 24Vdc 0.5 Amp

#### Drive unit functions

Full-Energy drive unit with integrated and configurable Low-Energy function, for operation without safety sensors

Extremely uncomplicated commissioning and operation thanks to the integrated display screen and menu navigation via 5 way rocker switch or RF controls.

Adjustable opening angle (maximum 110°)

Opening and closing speed Full Energy: up to 5 seconds

Opening and closing speed Low Energy: up to 15 seconds

Adjustable Push and go function (depending on the opening angle)

Adjustable locking force and timing settings for all kinds of lock including electronic 3 point mechanisms.

Adjustable speed and torque settings

Built-in receiver for remote programming

Radio control exit buttons are available to simplify wiring the installation

Connection terminals for the control elements, sensors, locks and output for feedback contact to BMS.

### Coverings

Covering made of aluminum E6/EV1, natural anodized

### Sensors

Sensor bar for protection on the hinge side, according to DIN 18650 and EN 16005

Sensor bar for protection on the side opposing the hinge side, according to DIN 18650 and EN 16005

### Control elements

Radar Inside

Radar Outside

DDA Push Buttons

Radio Controls

External program selector key switch

Access Keypad or Proximity Badge reader: to be supplied by customers

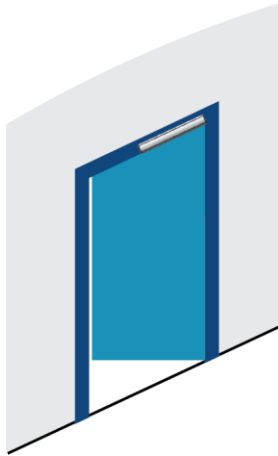


### CDVI Ltd

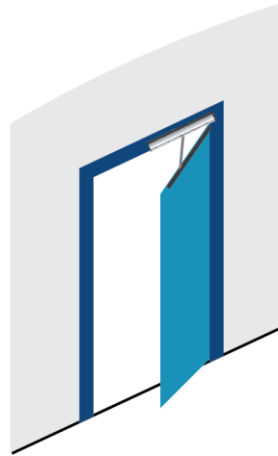
Unit 1 Knaves Beech Business Centre  
Davies Way, Loudwater  
High Wycombe, HP10 9QR  
01628 531300 / [sales@cdvi.co.uk](mailto:sales@cdvi.co.uk)



**CDVI Ltd**  
Unit 1 Knaves Beech Business Centre  
Davies Way, Loudwater  
High Wycombe, HP10 9QR  
01628 531300 / [sales@cdvi.co.uk](mailto:sales@cdvi.co.uk)



Single door  
Outward opening  
Articulated arm  
Left or right opening



Single door  
Inward opening  
Sliding arm  
Left or right opening



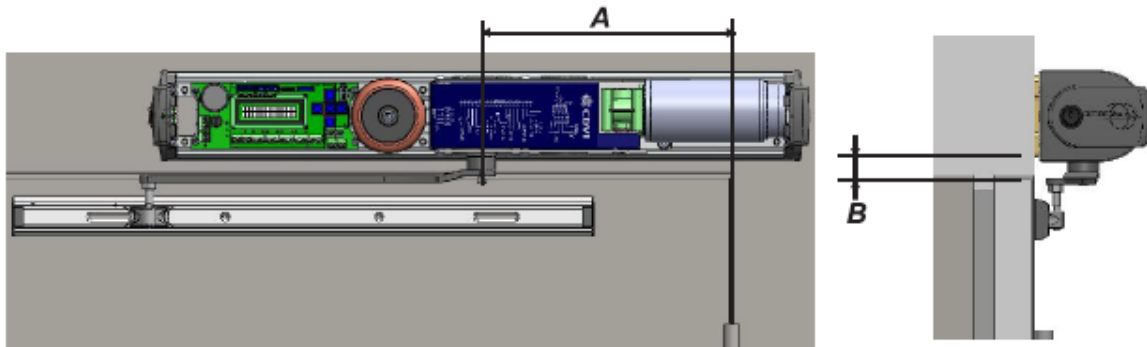
Double door  
Outward opening  
Articulated arm  
Left or right opening



Double door  
Inward opening  
Sliding arm  
Left or right opening

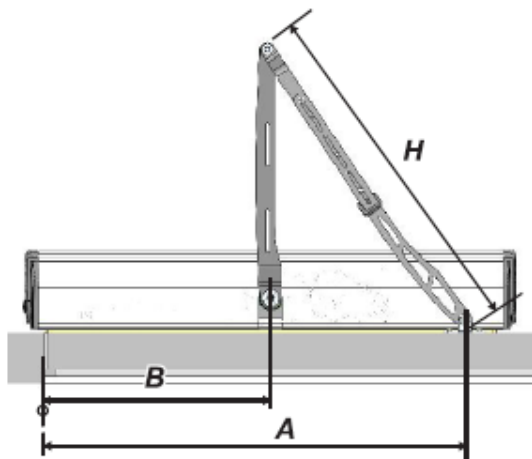
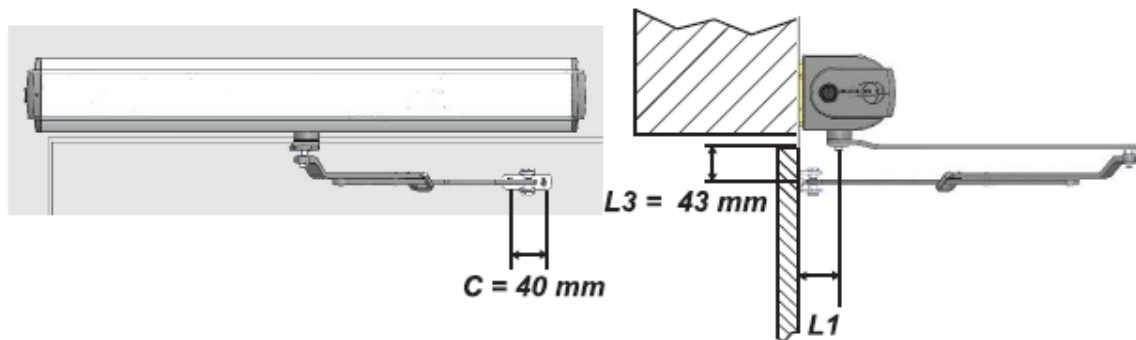


**Mechanical installation: sliding arm version**



Parameter	Value (mm)	Description
A	280	Door hinge – motor axis distance
B	35	Backplate – guide distance

**Mechanical installation: articulated arm version**



**Parameters calculated for opening angle  $\geq 100^\circ$**

Param.	Description	B = 330 mm		
		L1	A	H
A	Door hinge – door bracket distance	300	540	600
B	Door hinge – motor axis distance	270	500	570
C	Door bracket hole centres.	240	500	570
L1	Distance motor axis – door	210	500	540
L3	Distance motor shaft – door bracket	180	500	520
H	Length of the adjustable forearm	150	460	460
		120	460	450
		90	500	430

**CDVI Ltd**

Unit 1 Knaves Beech Business Centre  
Davies Way, Loudwater  
High Wycombe, HP10 9QR  
01628 531300 / sales@cdvi.co.uk