

Specifications:

- Fail Safe Electro Magnet
- Holding Force – 250kg
- Kick Off – no residual magnetism.

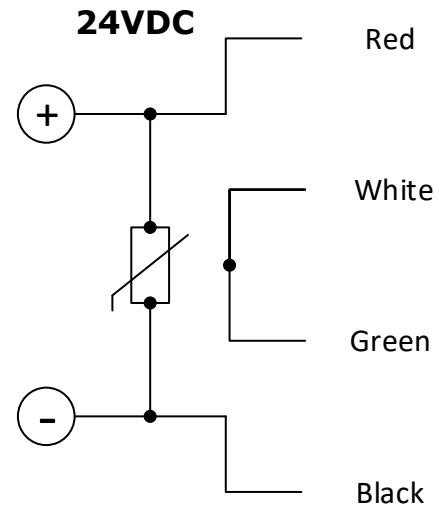
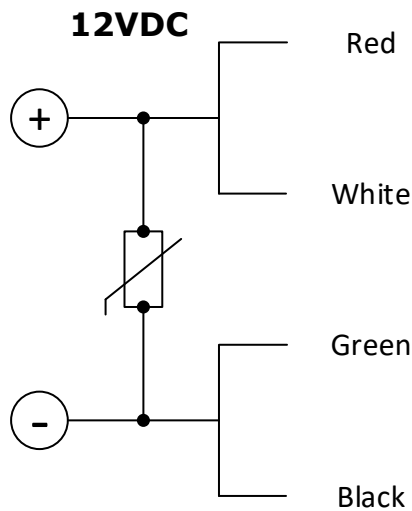
Dimensions:

- Magnet – 80 x 38mm
- Armature – 80mm x 12mm

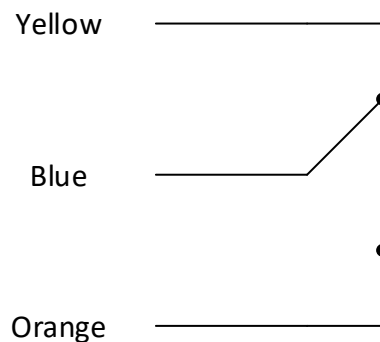
Consumption:

- 420mA @ 12vdc
- 210mA @ 24vdc

Temp: -20 to +70°C



Monitoring Connections



Hardware Kit:

- 2 x M8 x 25 Screws
- 2 x M8 Steel washers
- 1 x 5 x 16mm Roll Pin
- 1 x Varistor
- 1 x Rubber Washer (Bush)